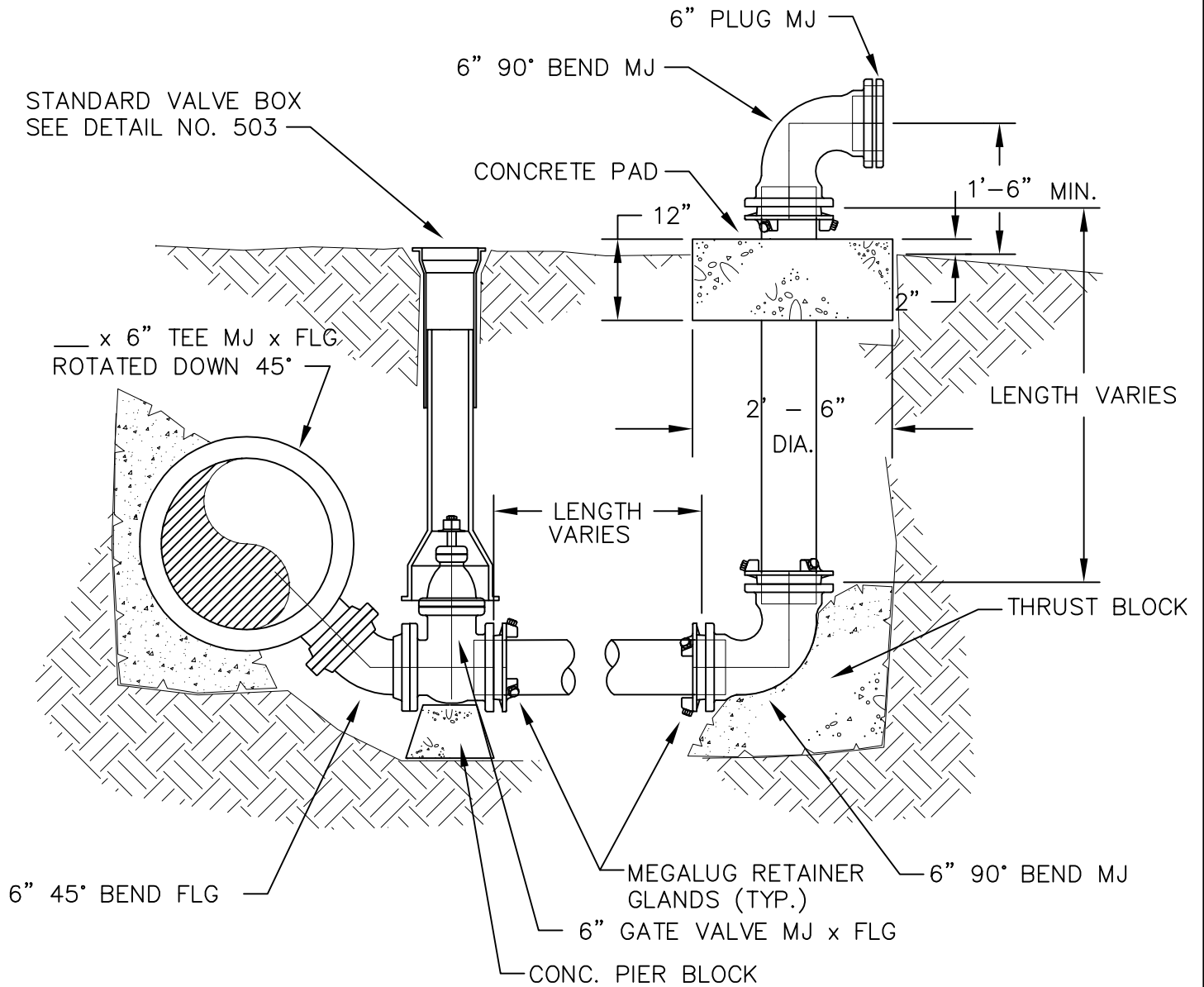


STANDARD VALVE BOX  
SEE DETAIL NO. 503



CITY OF TIGARD  
OREGON  
CAPITAL CONSTRUCTION AND  
TRANSPORTATION DIVISION  
13125 S.W. HALL BLVD.  
TIGARD, OREGON 97223  
VOICE: (503) 639-4171  
FAX: (503) 684-7297

APPROVED BY:  
**AGUSTIN P. DUENAS, P.E.**  
CITY ENGINEER  
AUGUST 2009  
APPROVAL DATE

**6" BLOWOFF**

NO SCALE

DWG. NO.

**571**