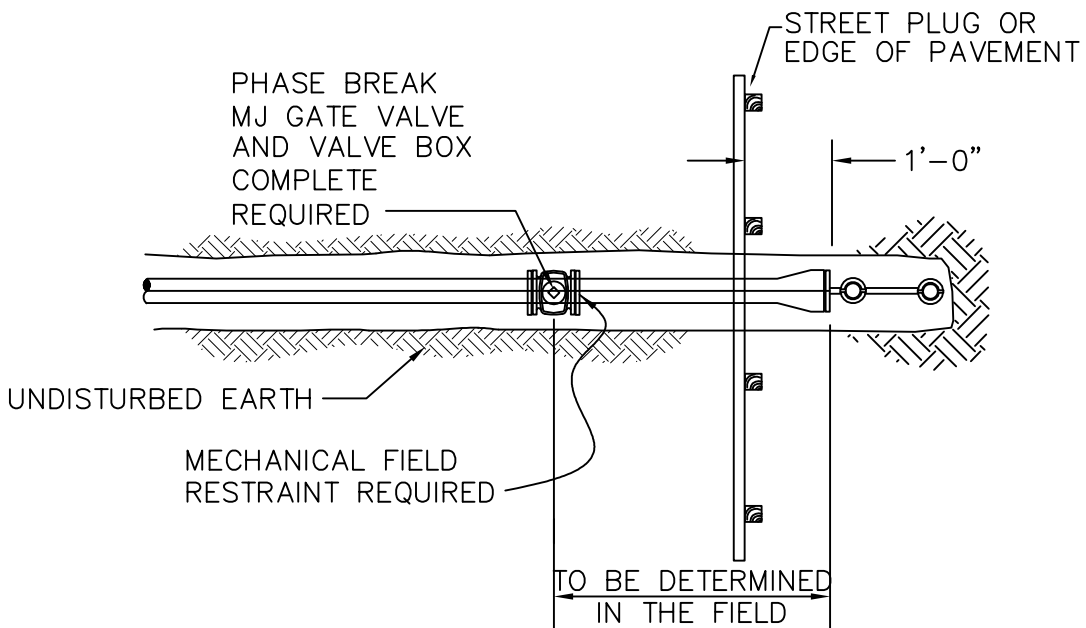


NOTE:

THREADED BRASS PIPING
MAY BE USED IN PLACE OF
COPPER TUBING

PERMANENT



TEMPORARY



CITY OF TIGARD
OREGON
CAPITAL CONSTRUCTION AND
TRANSPORTATION DIVISION
13125 S.W. HALL BLVD.
TIGARD, OREGON 97223
VOICE: (503) 639-4171
FAX: (503) 684-7297

APPROVED BY:
AGUSTIN P. DUENAS, P.E.
CITY ENGINEER
JULY 2009
APPROVAL DATE

**2" STANDARD
BLOWOFF**

NO SCALE

DWG. NO.

570