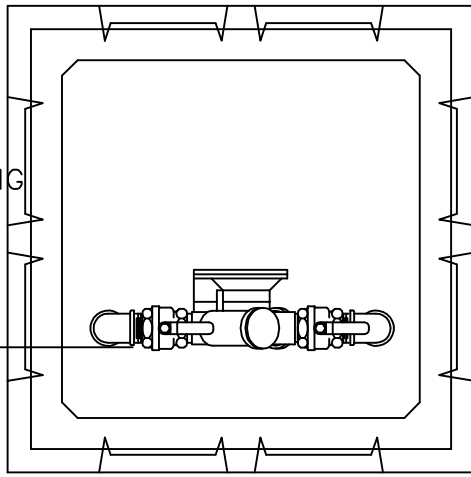


VAULT SPECIFICATIONS

SIZE	MFG.
1"	UTILITY VAULT 3030-LA (OR EQUAL)
1-1/2" - 2"	UTILITY VAULT 3642-PUT (OR EQUAL)

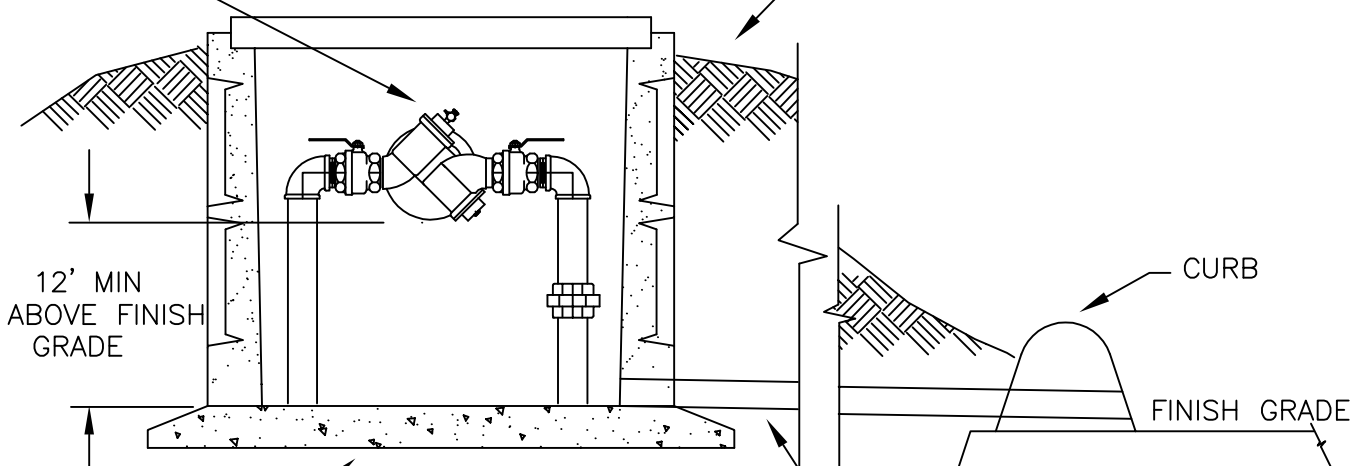
ADEQUATE WORKING SPACE FOR MAINTENANCE 12" MIN



PLAN

REDUCED PRESSURE BACKFLOW PREVENTER FEBCO MODEL 825Y OR EQUAL

SLOPE EARTH AWAY FROM VAULT IN BERM AREA



ELEVATION

CONCRETE PAD

ADEQUATE DRAIN TO DAYLIGHT (SEE DETAIL NO. 557)

INSTALLATION SHOWN IS ONLY A SUGGESTION.

NOTES:

1. DOUBLE CHECK TO BE LOCATED DIRECTLY BEHIND WATER METER.
2. BRASS, STAINLESS, OR PLASTIC PLUGS TO BE INSTALLED IN TEST COCKS IF BELOW GROUND INSTALLATION.
3. DISTANCE FROM BOTTOM OF DEVICE TO FINISH GRADE, FREEZE PROTECTION, AND CLEARANCE FOR TESTING AND REPAIR ARE THE MAJOR CONSIDERATIONS FOR INSTALLATION.



CITY OF TIGARD
OREGON
CAPITAL CONSTRUCTION AND
TRANSPORTATION DIVISION
13125 S.W. HALL BLVD.
TIGARD, OREGON 97223
VOICE: (503) 639-4171
FAX: (503) 684-7297

APPROVED BY:
AGUSTIN P. DUENAS, P.E.

CITY ENGINEER

JULY 2009

APPROVAL DATE

REDUCED PRESSURE BACKFLOW ASSEMBLY

NO SCALE

DWG. NO.

555