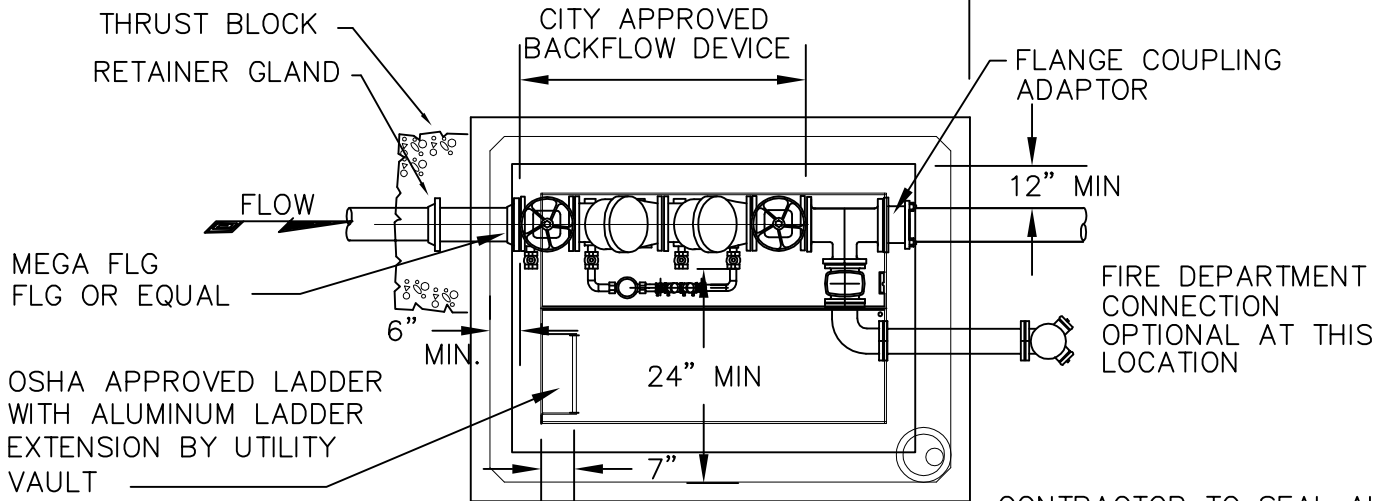
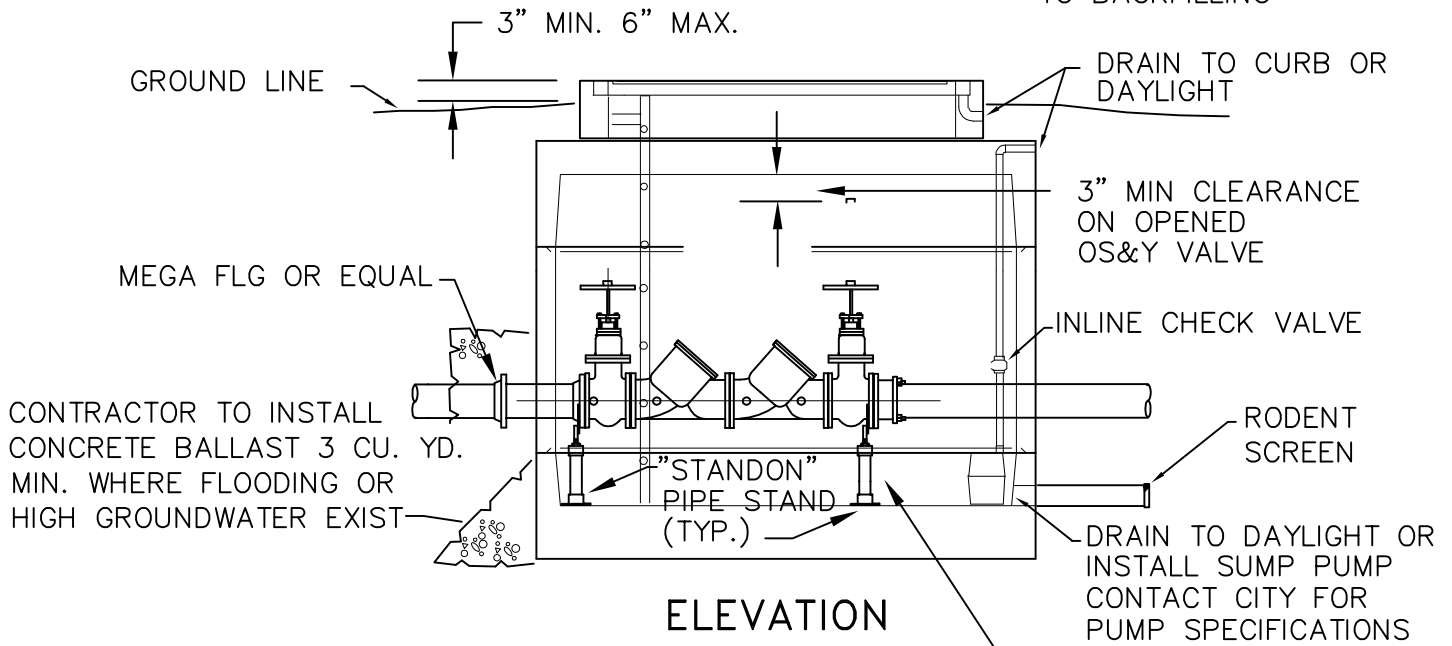


CITY WATER DEPT STANDARDS PLUMBING CODE



PLAN

CONTRACTOR TO SEAL ALL OPENINGS IN VAULT WITH NON SHRINK GROUT PRIOR TO BACKFILLING



ELEVATION

12" MIN
24" MAX
FLOOR TO BOTTOM
OF DEVICE

FIRE DOUBLE CHECK VALVE ASSEMBLY

SIZE	UTILITY VAULT OR *EQUAL		BILCO DOOR OR *EQUAL
	WITH F.D.C.	WITHOUT F.D.C.	
4	676-WA	577-WA	J-5AL
6	687-WA	676-WA	J-5AL
8	5106-LA	687-WA	JD-3AL
10	5106-LA	2106-LA	JD-3AL

* CITY ENGINEER APPROVED EQUAL



CITY OF TIGARD
OREGON
CAPITAL CONSTRUCTION AND
TRANSPORTATION DIVISION
13125 S.W. HALL BLVD.
TIGARD, OREGON 97223
VOICE: (503) 639-4171
FAX: (503) 684-7297

APPROVED BY:
AGUSTIN P. DUENAS, P.E.
CITY ENGINEER
JULY 2009
APPROVAL DATE

**DOUBLE CHECK DETECTOR
VALVE ASSEMBLY**

NO SCALE

DWG. NO.

533