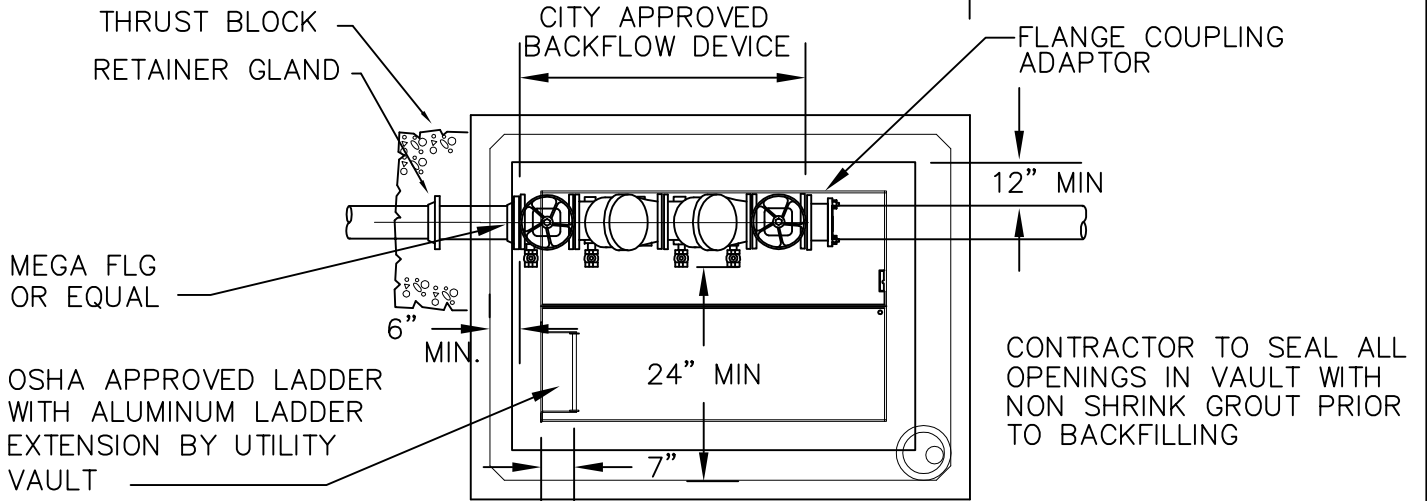
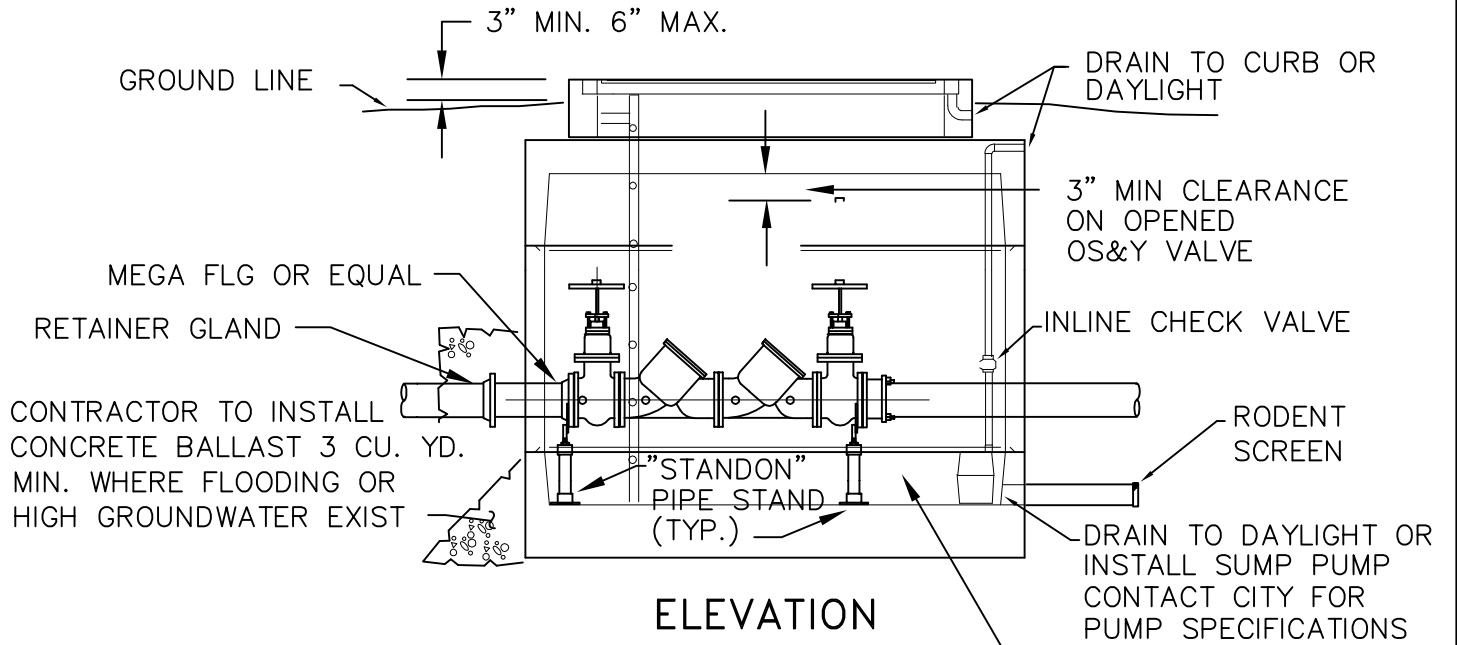


CITY WATER DEPT STANDARDS PLUMBING CODE



PLAN



ELEVATION

DOUBLE CHECK VALVE ASSEMBLY

| SIZE | UTILITY VAULT OR *EQUAL | BILCO DOOR OR *EQUAL |
|------|-------------------------|----------------------|
| 3 | 660-WA | J-5AL |
| 4 | 577-WA | J-5AL |
| 6 | 676-WA | J-5AL |
| 8 | 687-WA | JD-3AL |
| 10 | 5106-LA | JD-3AL |

* CITY ENGINEER APPROVED EQUAL



CITY OF TIGARD
OREGON
CAPITAL CONSTRUCTION AND
TRANSPORTATION DIVISION
13125 S.W. HALL BLVD.
TIGARD, OREGON 97223
VOICE: (503) 639-4171
FAX: (503) 684-7297

APPROVED BY:
AGUSTIN P. DUENAS, P.E.
CITY ENGINEER
JULY 2009
APPROVAL DATE

DOUBLE CHECK
VALVE ASSEMBLY

NO SCALE

DWG. NO.

532