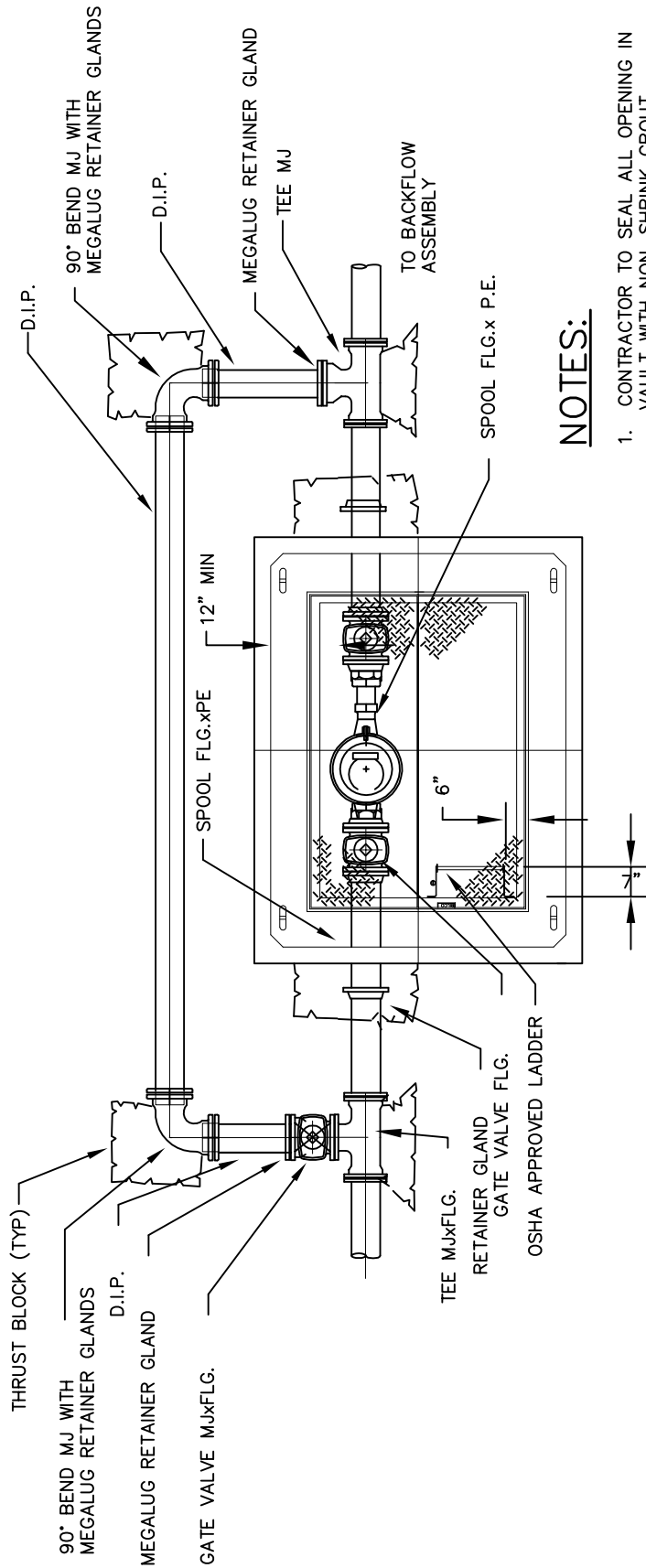


STREET SIDE

CUSTOMER SIDE

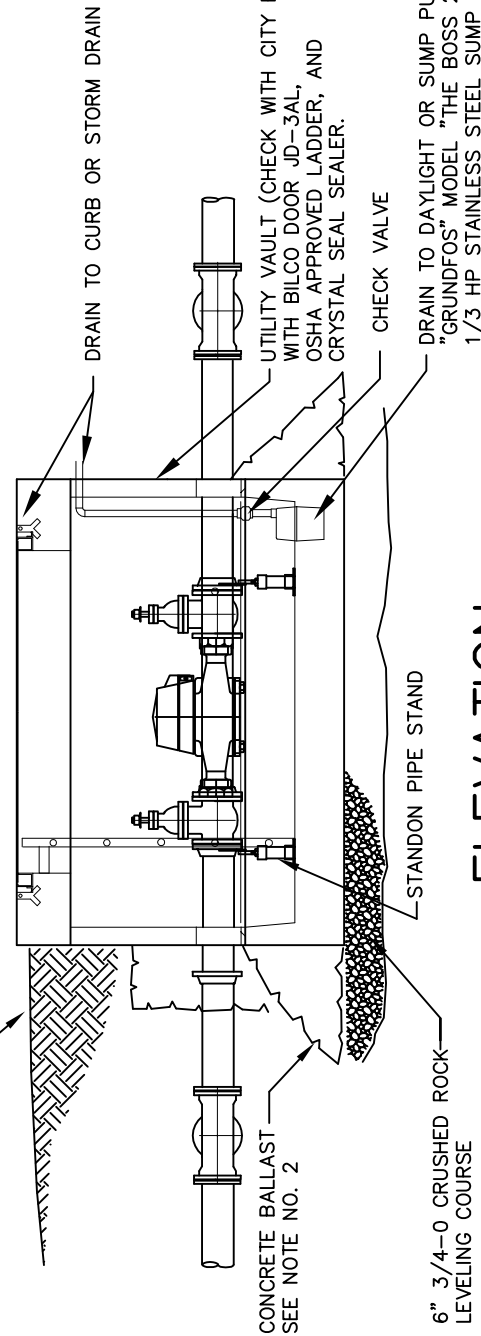


NOTES:

1. CONTRACTOR TO SEAL ALL OPENING IN VAULT WITH NON-SHRINK GROUT.
2. CONTRACTOR TO INSTALL CONCRETE BALLAST 3 CU. YD. MIN. AROUND BASE OF VAULT IN THOSE AREAS WHERE FLOODING OR HIGH GROUND WATER EXIST.

PLAN

FINISH GRADE TO SLOPE AWAY FROM VAULT LID



ELEVATION

DRAIN TO CURB OR STORM DRAIN
 UTILITY VAULT (CHECK WITH CITY FOR SIZE) WITH BILCO DOOR JD-3AL, OSHA APPROVED LADDER, AND CRYSTAL SEAL SEALER.
 CHECK VALVE
 DRAIN TO DAYLIGHT OR SUMP PUMP "GRUNDFOSS" MODEL "THE BOSS 200" 1/3 HP STAINLESS STEEL SUMP PUMP WITH FLOAT SWITCH AND 1-1/4" DISCHARGE

CONCRETE BALLAST SEE NOTE NO. 2
 6" 3/4-0 CRUSHED ROCK LEVELING COURSE
 STANDON PIPE STAND



CITY OF TIGARD
 OREGON
 CAPITAL CONSTRUCTION AND
 TRANSPORTATION DIVISION
 13125 S.W. HALL BLVD.
 TIGARD, OREGON 97223
 VOICE: (503) 639-4171
 FAX: (503) 684-7297

APPROVED BY:
AGUSTIN P. DUENAS, P.E.
 CITY ENGINEER
 JULY 2009
 APPROVAL DATE

**LARGE METER
 W/FIRE BYPASS**

NO SCALE
 DWG. NO.
525