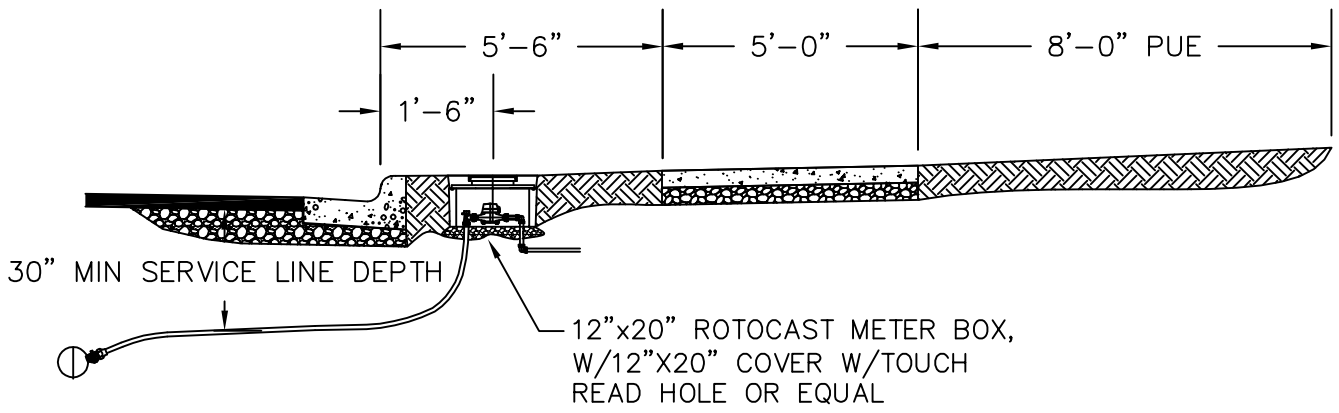
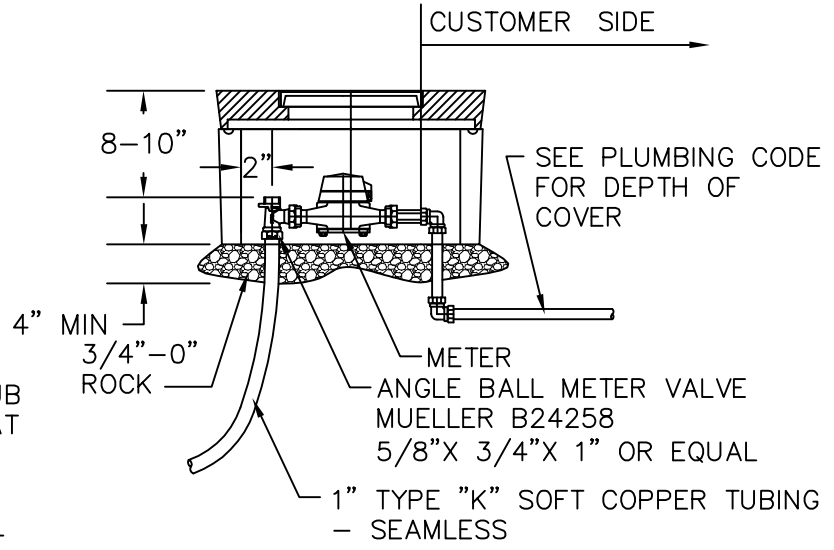


SIDEWALK ADJACENT TO CURB



SIDEWALK WITH PLANTER STRIP AT CURB



- NOTES:**
1. SURVEYOR TO INSTALL TEMPORARY HUB AND GUARD STAKE OR GUARDSTAKE AT LOT LINE FOR METER INSTALLATION.
 2. BOXES SET IN CONCRETE SHALL BE NEXT SIZE LARGER
 3. CENTER OF METER BOX TO BE OFFSET 1' FROM PROPERTY LINE.



CITY OF TIGARD
OREGON
CAPITAL CONSTRUCTION AND
TRANSPORTATION DIVISION
13125 S.W. HALL BLVD.
TIGARD, OREGON 97223
VOICE: (503) 639-4171
FAX: (503) 684-7297

APPROVED BY:
AGUSTIN P. DUENAS, P.E.
CITY ENGINEER
JULY 2009
APPROVAL DATE

3/4" & 1"
WATER SERVICE

NO SCALE
DWG. NO.
520