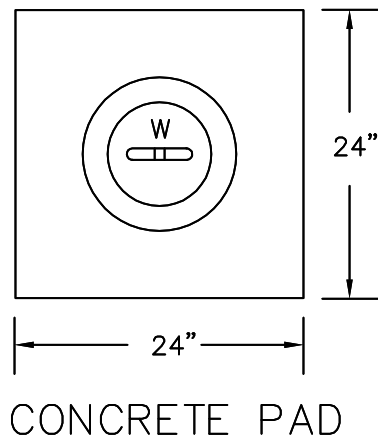


NOTES:

- 1) VALVE BOX NOT TO REST ON OPERATING ASSEMBLY.
- 2) OPERATING NUT EXTENSION REQUIRED WHEN VALVE NUT IS DEEPER THAN 3 FEET FROM FINISHED GRADE. SEE DETAIL W5.
- 3) CENTER VALVE BOX ON AXIS OF OPER. NUT.
- 4) PROVIDE 24" SQUARE BY 4" THICK CONCRETE PAD AROUND VALVE BOX OUTSIDE OF PAVED AREAS AS SHOWN IN CONCRETE PAD DETAIL



CITY OF TIGARD
OREGON
CAPITAL CONSTRUCTION AND
TRANSPORTATION DIVISION
13125 S.W. HALL BLVD.
TIGARD, OREGON 97223
VOICE: (503) 639-4171
FAX: (503) 684-7297

APPROVED BY:
AGUSTIN P. DUENAS, P.E.
CITY ENGINEER

JULY 2009
APPROVAL DATE

**TYPICAL BUTTERFLY
VALVE**

NO SCALE

DWG. NO.

504